

Step-by-Step

Directions

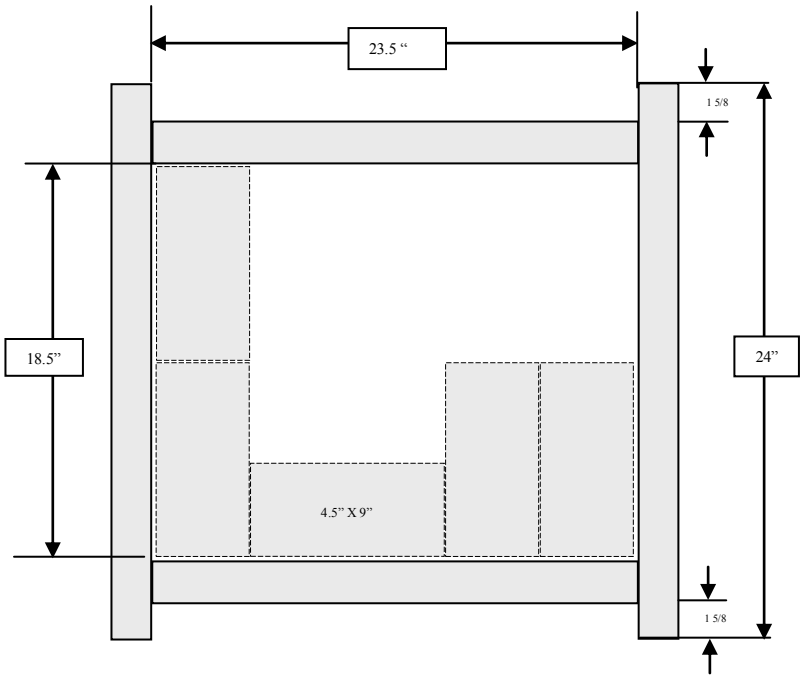
to Build

a

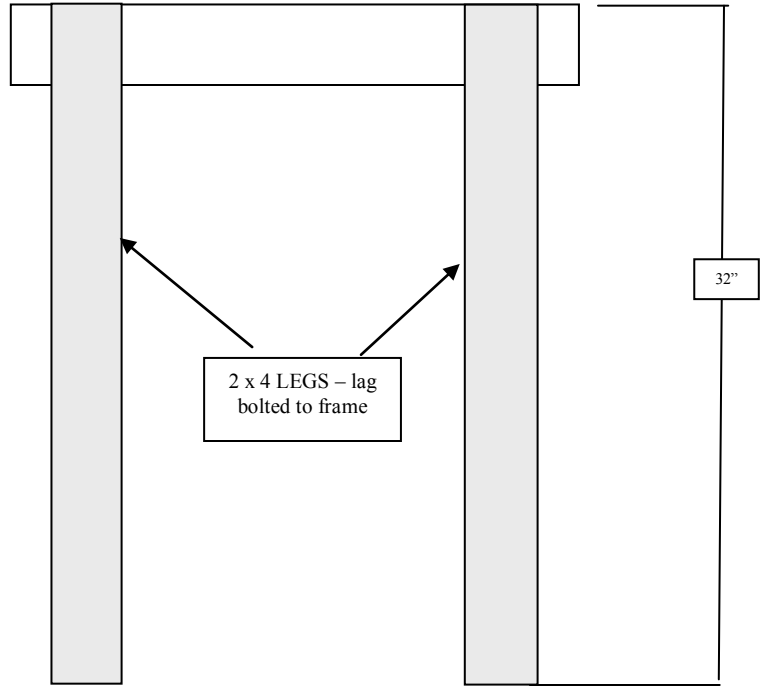
Basic Coal

Forge

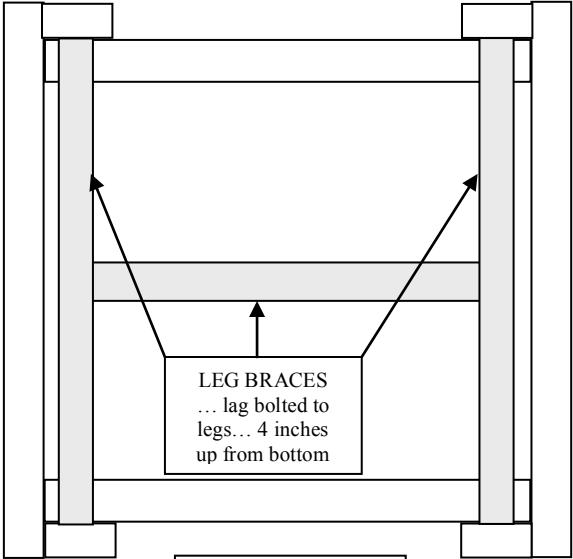
FIRST STEP
 2x4 frame... all lag bolted together
 (I used IPE wood – suggest hardest wood you can find... I had to drill all holes for lag bolts)



SECOOND STEP
 (as with 1st step, use hardest wood you can find)



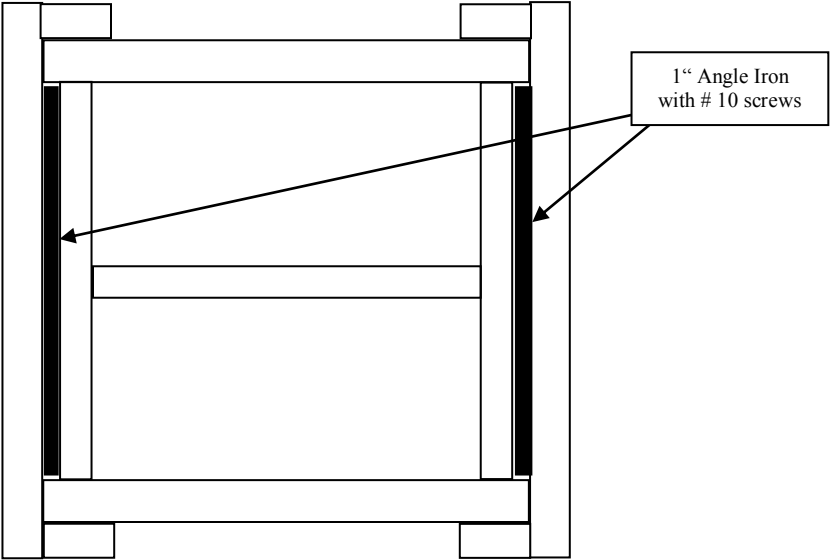
THIRD STEP



LEG BRACES
... lag bolted to
legs... 4 inches
up from bottom

Looking from bottom

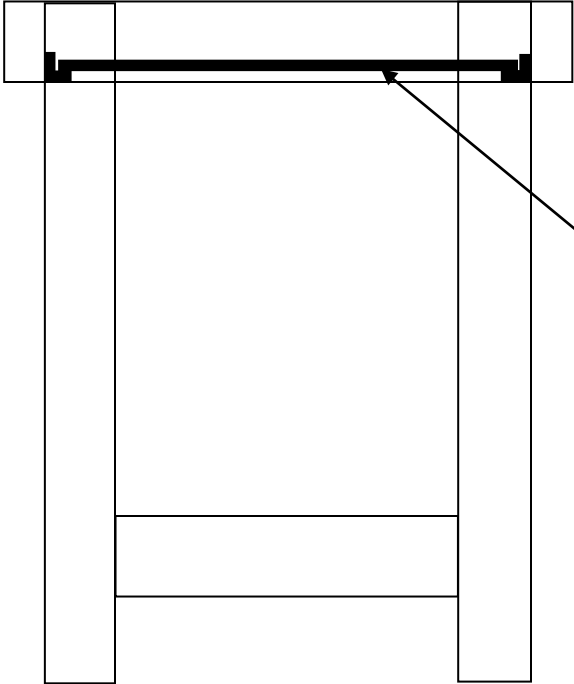
FOURTH STEP



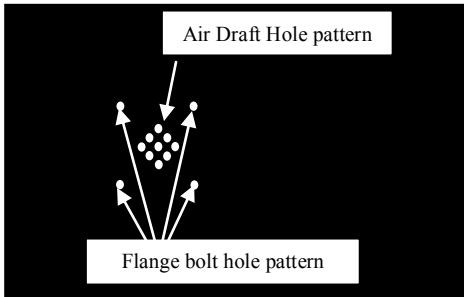
1" Angle Iron
with # 10 screws

Looking from top

FIFTH STEP

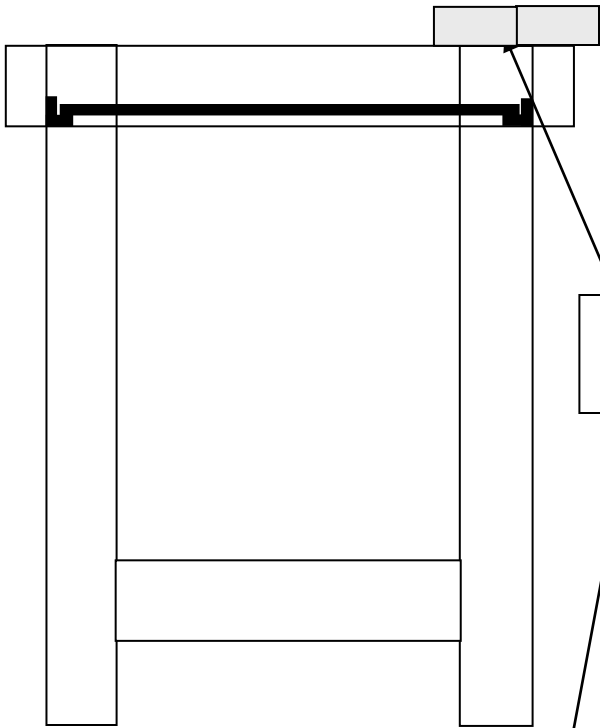


1/4" STEEL PLATE
18" X 22.5"

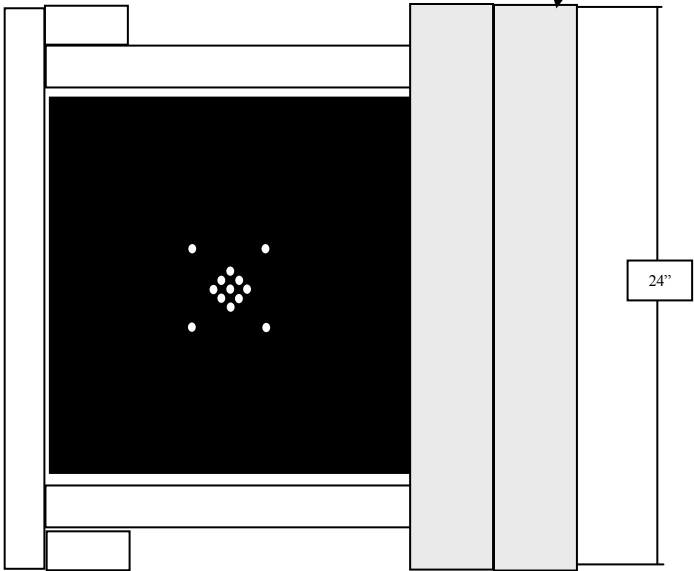


1/4" STEEL PLATE
18" X 22.5"

SIXTH STEP

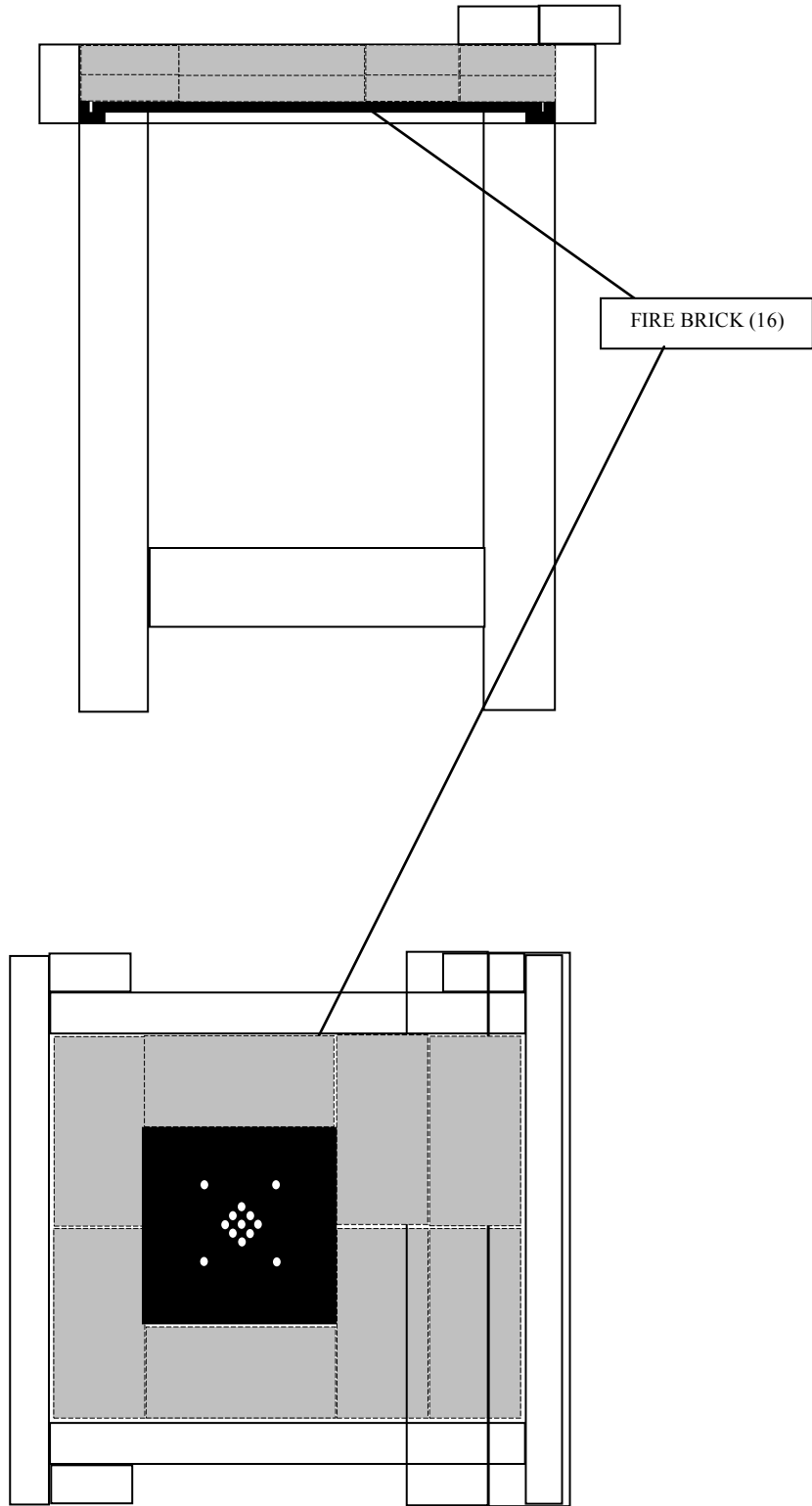


WORK SHELF
2x4s lag bolted to
frame

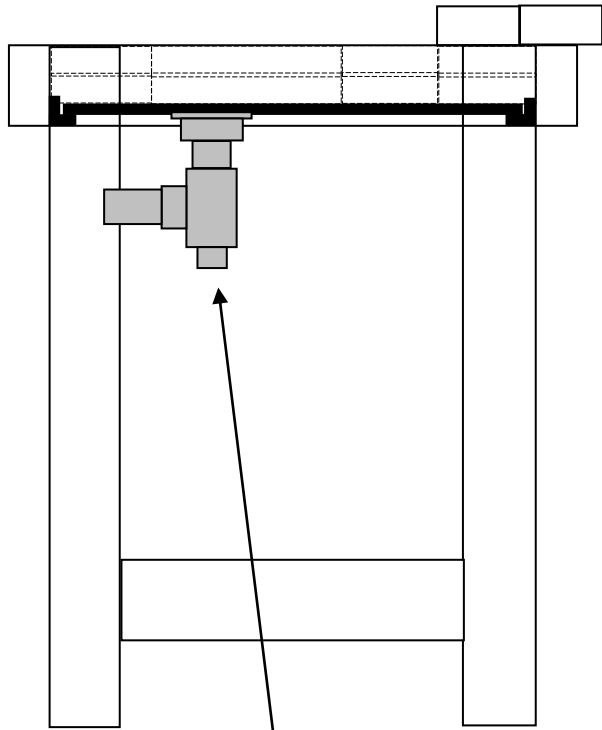


24"

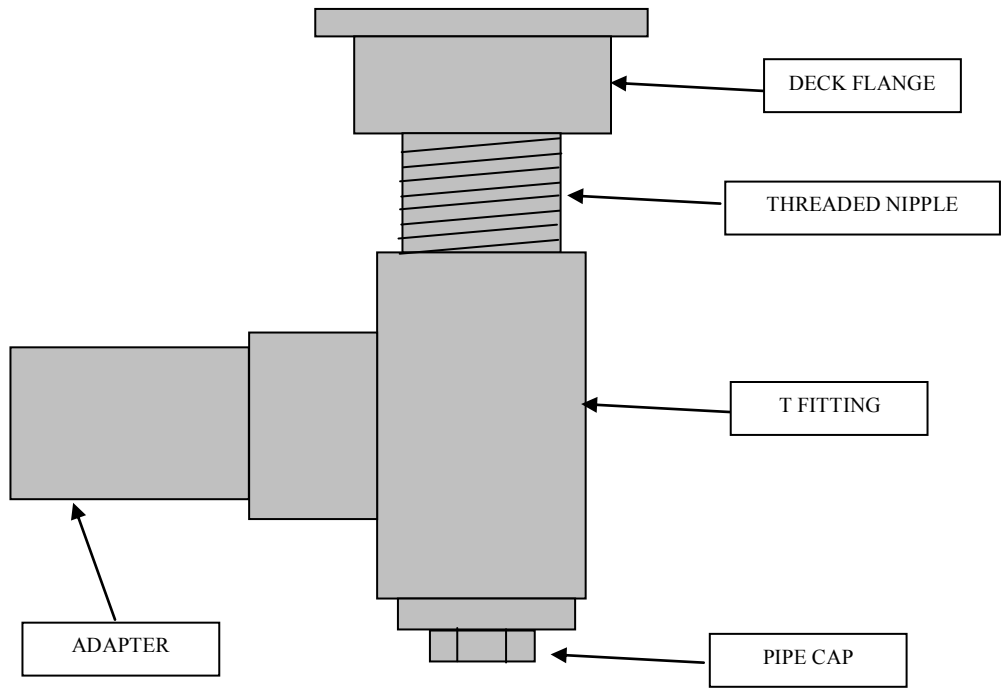
SEVENTH STEP



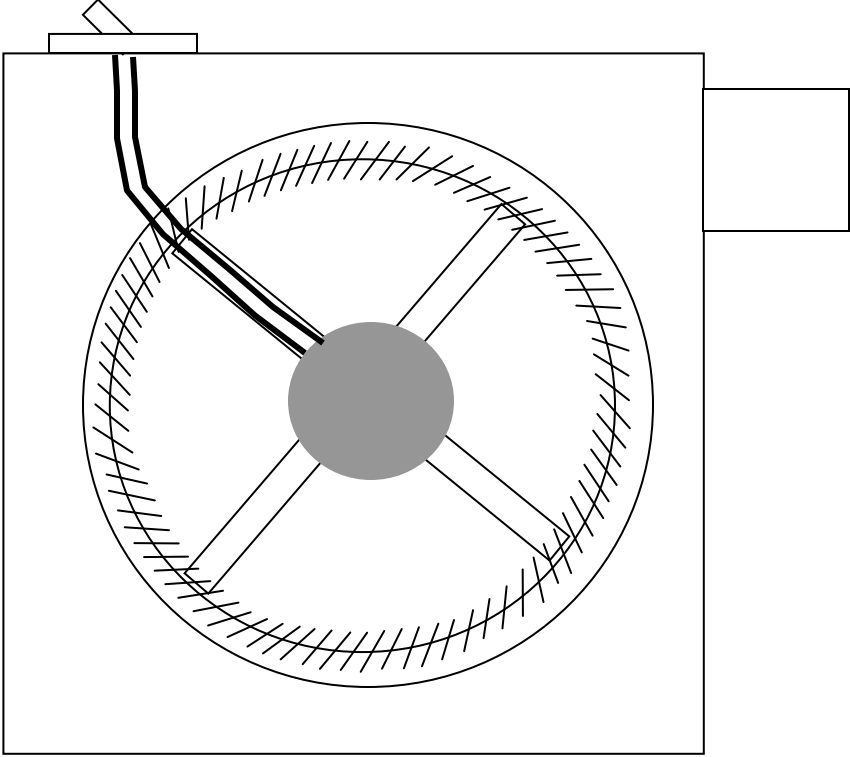
EIGHTH STEP



FORGE FIRE BOX OR TUYERE



BLAST FAN



NINETH STEP

